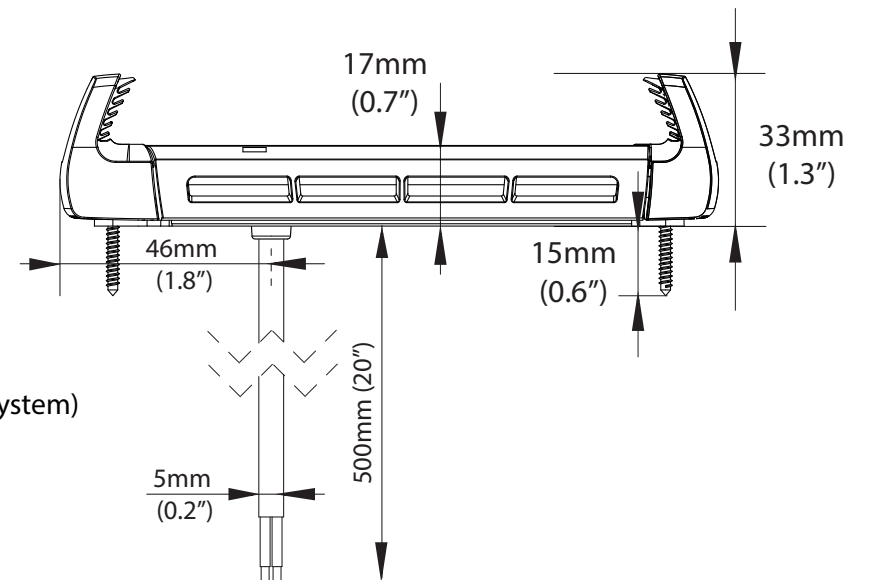
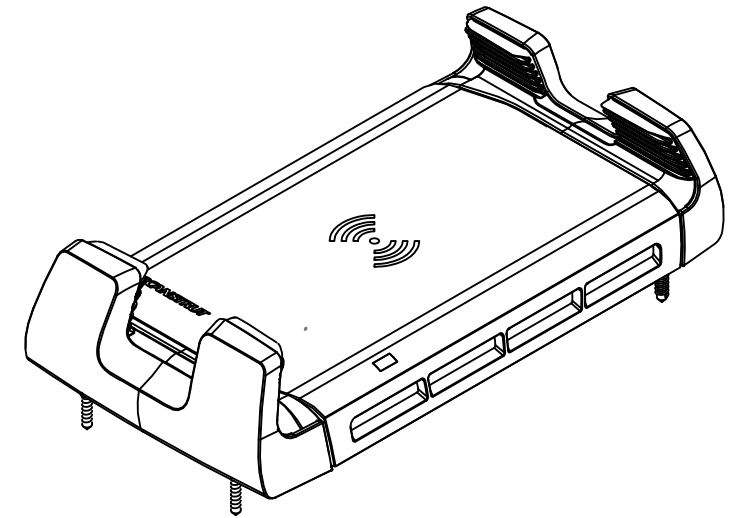
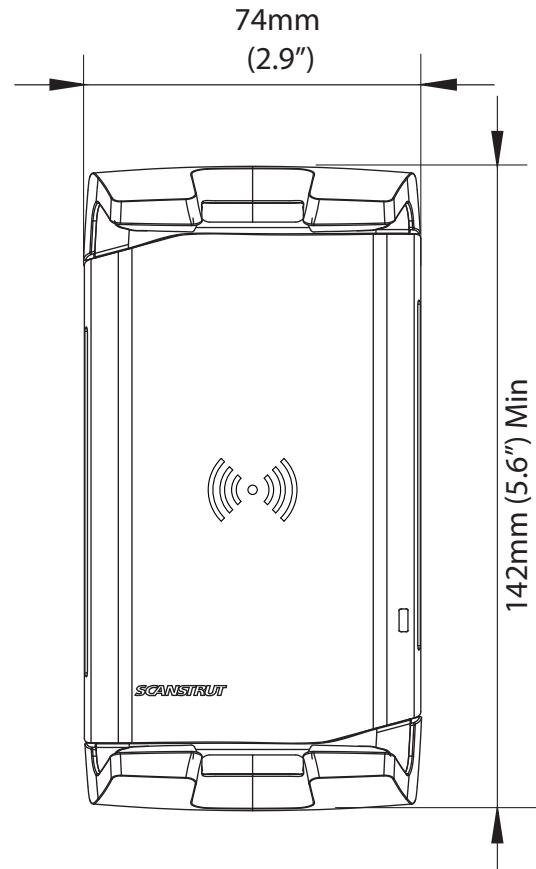
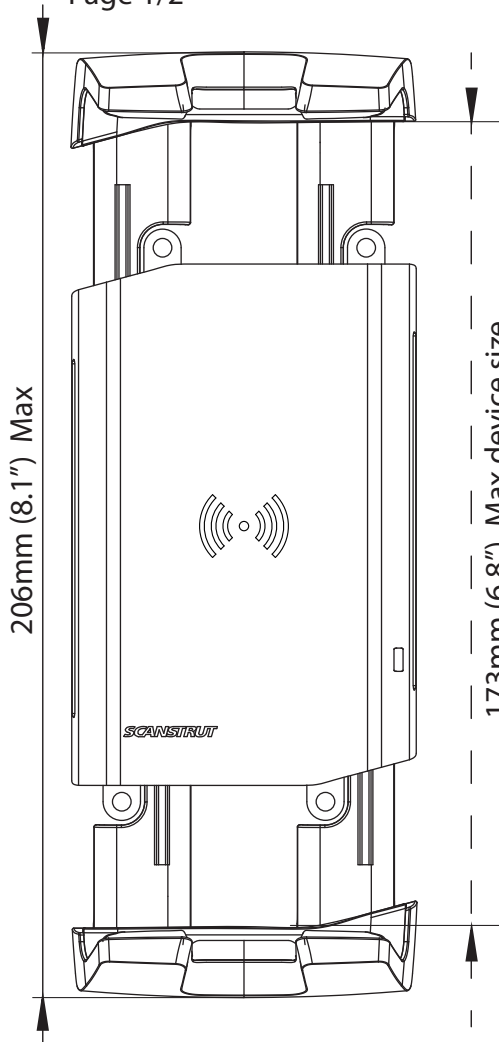


ROKK Wireless Active - SC-CW-04E

For help & information
email: sales@scanstrut.com

Page 1/2



Electrical info:

- Input Voltage Range: 10-30V DC (12/24V system)
- Input current max: 1.5A
- Output Power: 5W (5V,1A)
- Standby Power Draw : < 0.06W

- Qi, CE, FCC, ROHS, UN ECE R10 Certified.

Waterproof Rating: IPX6

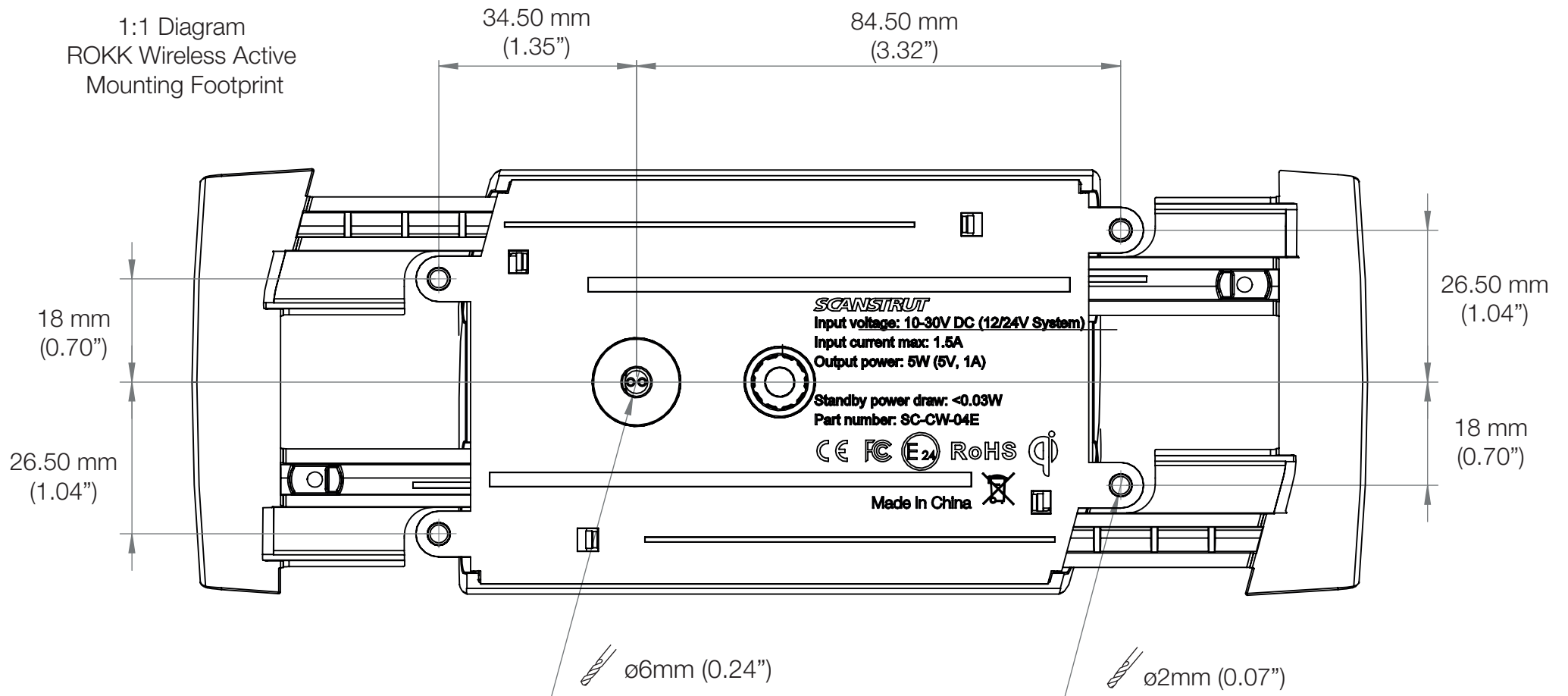


SCANSTRUT

ROKK Wireless Active - SC-CW-04E

For help & information
email: sales@scanstrut.com

Page 2/2



SCANSTRUT